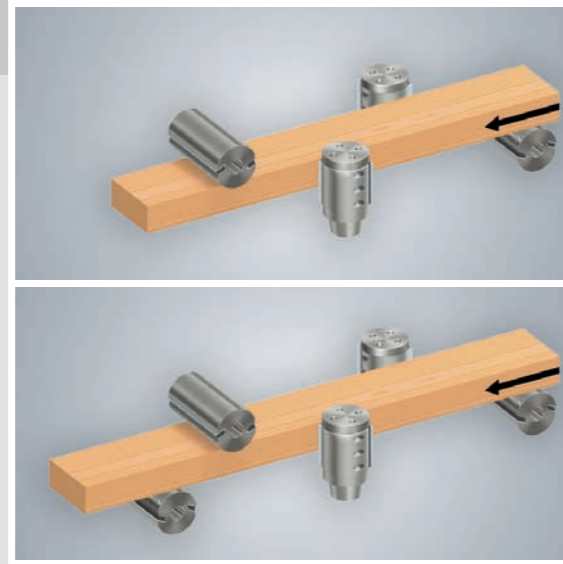


Variomat



Tool arrangements

Variomat overview: Standards and options

Your WEINIG specialist will be happy to provide further information.

Min. / max. working height	8 / 120 mm
Min. / max. working width	20 / 230 mm
Number of spindles	4 – 5
PowerLock System on vertical spindles	○
Base prepared for retrofit modules	●
Multifunction table	○
6000 rpm	●
3000 to 6000 rpm	○
Memory System	○
Electronic displays	○
CNC-controlled axes adjustments	○
Max. tool diameter on vertical spindles	232 mm
Max. tool diameter horizontal (not for 1st bottom)	200 mm
Max. tool diameter for end profiling, left vertical tool holder	320 mm
Inverter-controlled feed speed (option)	6 – 12 m/min
Motor power for vertical spindles	5,5 – 11 kW
Motor power for horizontal spindles	4 – 11 kW

Technical modifications reserved. Information and pictures in this brochure may include optional equipment that is not included in standard delivery. Protective coverings have been partially removed for the pictures.n.

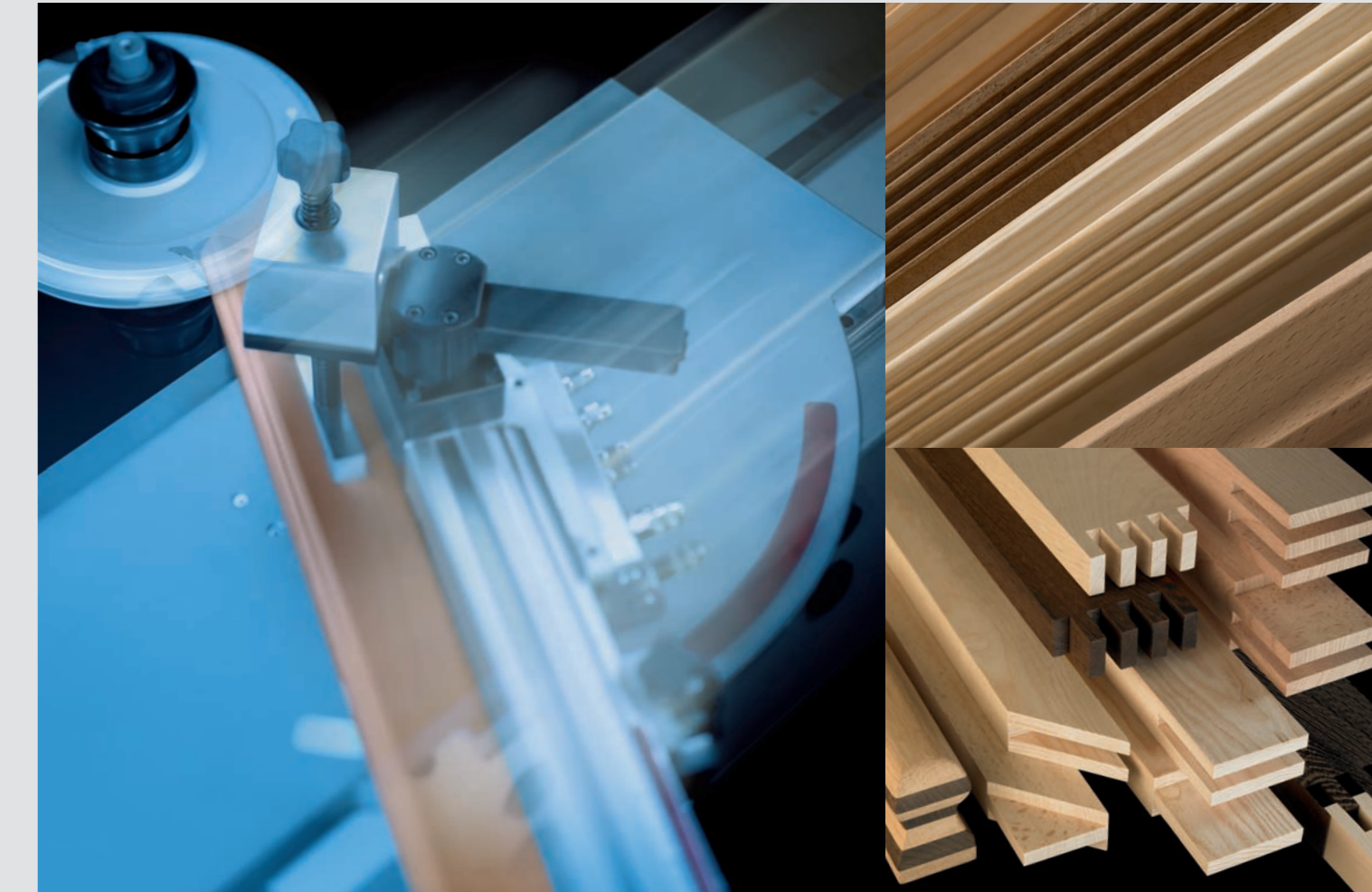
● Standard ○ Option

*Special series available on request.

050827/1500/GBR

Variomat

Innovative planing and profiling concept for longitudinal and end profiling



MICHAEL WEINIG AG
Weinigstrasse 2/4
97941 Tauberbischofsheim
Germany

Tel. +49 (0) 93 41 / 86-0
Fax. +49 (0) 93 41 / 70 80
E-mail info@weinig.de
Internet www.weinig.com



As simple as that – the WEINIG Variomat: Longitudinal and end profiling in one

The Variomat is the only moulder in the world today that can handle four-sided planing and profiling, as well as end profiling of workpieces. The Variomat is just as flexible as you are and can grow to keep pace with your requirements. Its secret is simple: retrofit modules.

We develop our technology for your benefit: Equipped with the WEINIG Memory system and featuring PowerLock technology, the user-friendly Variomat can be reset in a matter of seconds. Once produced and stored, a profile can be reproduced at any time with maximum precision and minimum setup effort.

Available in two different tool arrangements with four or five tool holders, each of which can be supplemented by a multi-function table. The Variomat will grow with your future needs!

The Variomat

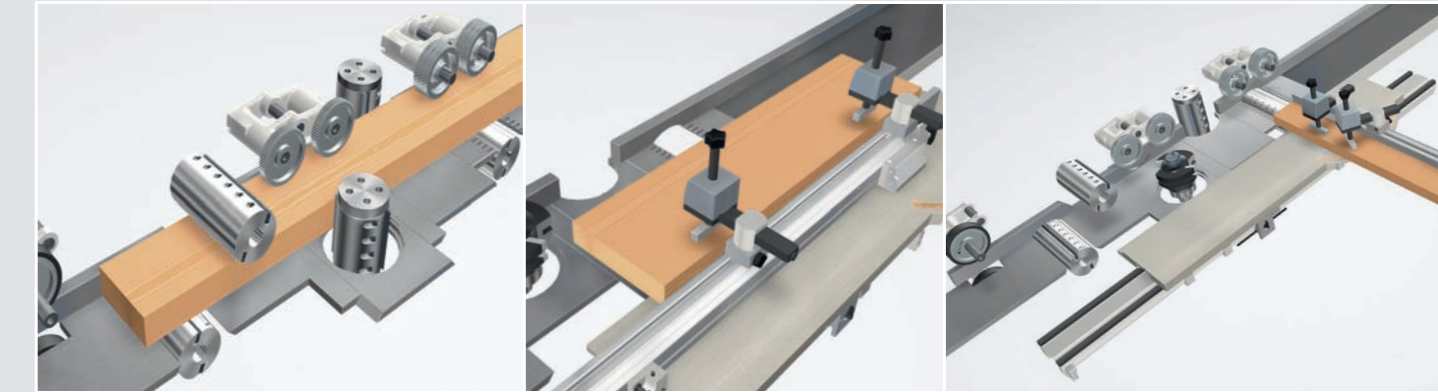
- Packed with highlights
- Multifunction table
 - Flawless surface quality
 - Very short setup times
 - Repeatable accuracy
 - Optimal solution for every requirement
 - Fast, simple setup
 - Convenient and user-friendly
 - Quick return on investment
 - Grows with your future needs



Multifunction table provides flexibility

The multi-function table provides flexibility and saves space

The multi-function table transforms the Variomat into a highly flexible space-saver. The table enables the Variomat to handle both longitudinal and end profiling two processing methods in one machine! The Variomat excels in the very areas where shapers, straighteners and thickeners fall short.



The Variomat easily grows to keep pace with your requirements

The Variomat is fit for the future thanks to retrofit modules such as the PowerLock tool system, the multifunction table and a 5th spindle. The PowerLock System gives you the freedom to add on other exciting modules at any time in the future.



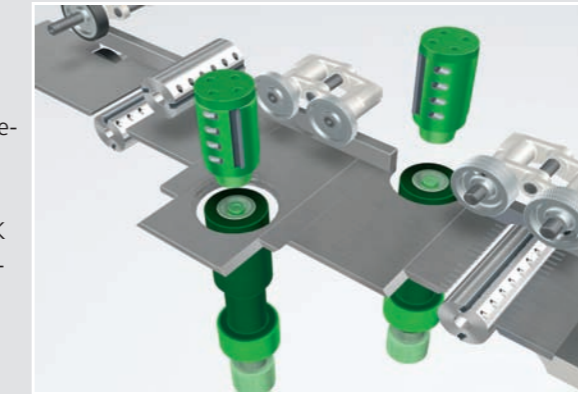
End profiling opens up new opportunities

With its built-in end profiling functionality, the Variomat offers a whole host of handy processing options for the manufacturing of entrance doors, windows, windscreens, interior doors, door frames and much more.

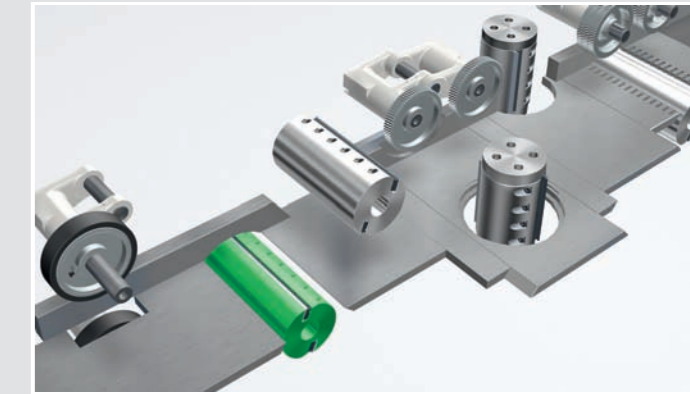
The modules

The PowerLock System for vertical tool holders

PowerLock can help you to considerably reduce your setup times and boost your productivity! This modern tool system with WEINIG HSK and optimised cutting circles ensures top-quality results.



Precision planing with the 5th spindle:
A second bottom spindle ensures optimum surface quality. The workpieces are ready for further processing.



The multifunction table

This table facilitates reliable processing of short workpieces without snipes. Even narrow workpieces can be profiled square on end with a perfect surface quality.

